

General Specifications

DSK
Alarm Setter

JUXTA

This Alarm Setter inputs various types of DC voltage or current signals and after comparing them with internal set values, it dual outputs alarm contact signals.

- Alarm operating point can be set through front trimmer and movement direction and contact point can be set through internal switch.
- Lockup width of alarm operating points are fixed at about 1%.

DSK-□□11

Model _____

Input Signal _____

- A : 4~20mA DC
 B : 2~10mA DC
 C : 1~5mA DC
 D : 0~20mA DC
 E : 0~16mA DC
 F : 0~10mA DC
 G : 0~1mA DC
 H : 10~50mA DC
 Z : (Custom Order) Current signal (within 50mA) whereas span is more than 1mA and elevation is within 50%
- 3 : 0~1V DC
 4 : 0~10V DC
 5 : 0~5V DC
 6 : 1~5V DC
 7 : -10~+10V DC
 0 : (Custom Order) Voltage signal (within ±10V DC) whereas span is more than 1V and zero elevation is within -50~+50%

Output-1 Signal _____

- 1 : Dry voltage contact output

Output-2 Signal _____

- 1 : Dry voltage contact output

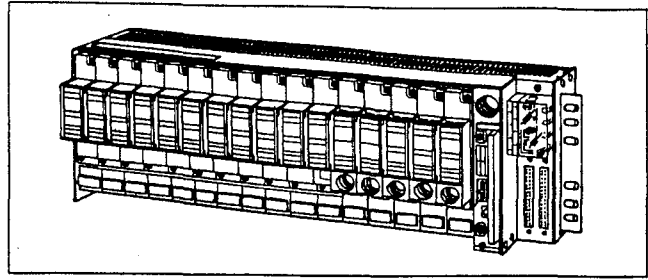
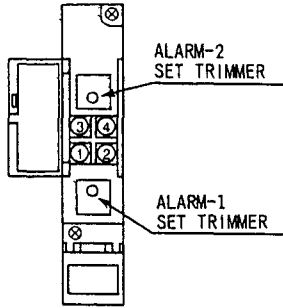
Input & Output		
Input Signal : DC current or voltage signal		
Input Resistance		
[Voltage Input]	More than 1MΩ (when power on) 100kΩ (when power off)	
[Current Input]	4~20mA : 250Ω 2~10mA : 500Ω 1~5mA : 1kΩ 0~20mA : 250Ω 0~16mA : 250Ω 0~10mA : 500Ω 0~1mA : 1kΩ 10~50mA : 100Ω	
Permissible Input Range :		
Voltage Input : Less than 30V DC		
Current Input : Less than 22~70mA DC		
Output Signal Type : Relay contact		
Output Points : Alarm output contact 2 points		
Contact Capacity :		
100V AC 1A 200V AC 0.5A 30V DC 1A 125V DC 0.1A	} whereas resistance load life of contact is about 600,000 times	
Alarm Setting Range : -5~+105%		
Standard Performance		
Alarm Operating Point Reproducibility : ±0.05% of span		
Insulation Resistance :		
100MΩ (500V DC) between input~output-1~output-2~power supply		
Withstand Voltage :		
1500V AC/minute between input~output-1~output-2~power supply		
Temperature Range : 0~50°C		
Humidity Range : 5~90% RH (no condensation)		
Power Voltage : 24V DC±10%		
Effect of Power Voltage Fluctuation :		
Less than ±0.1% of span for fluctuation of 24V DC±10%		
Effect of Ambient Temperature Change :		
Less than ±0.2% of span for change of 10°C		
Current Dissipation : 24V DC 80mA		
Mounting, Shape & Accessories		
Mounting Method : Store in exclusive nest (Input signal·power supply are connected through back board and connector)		
Wiring : [External Wiring]		
Input signal : Connect to input/output M4 screw terminals of exclusive nest		
Output signal : Connect to M4 screw terminals of front face of alarm setter		
External Dimension : 130.6x23.6x126 mm (HxWxD)		
Weight : About 100g		
Accessories : Tag Number Label 1		

ORDERING INFORMATION

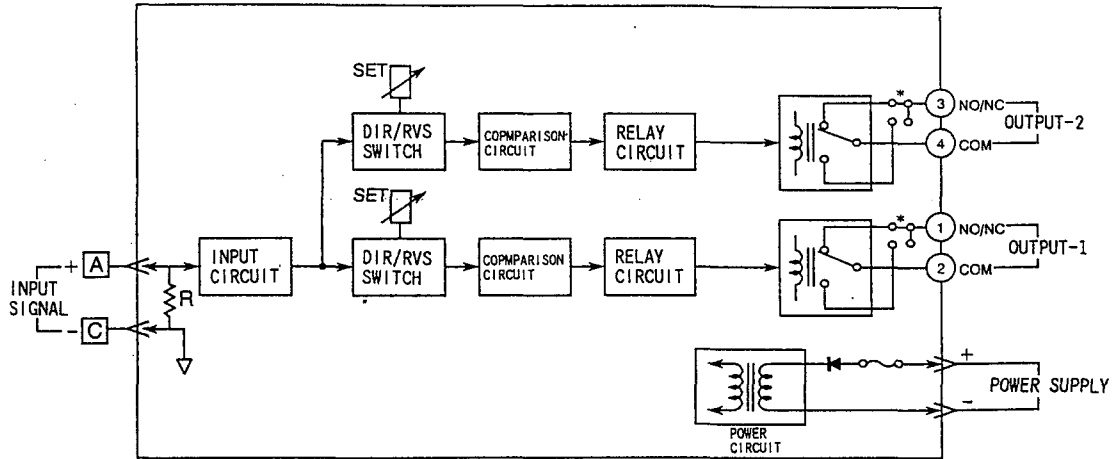
- Model Code : (Example) DSK-A11

TERMINAL ARRANGEMENT

TML	SIGNAL
1	OUT 1 (NO/ NC)
2	OUT 1 (COM)
3	OUT 2 (NO/ NC)
4	OUT 2 (COM)

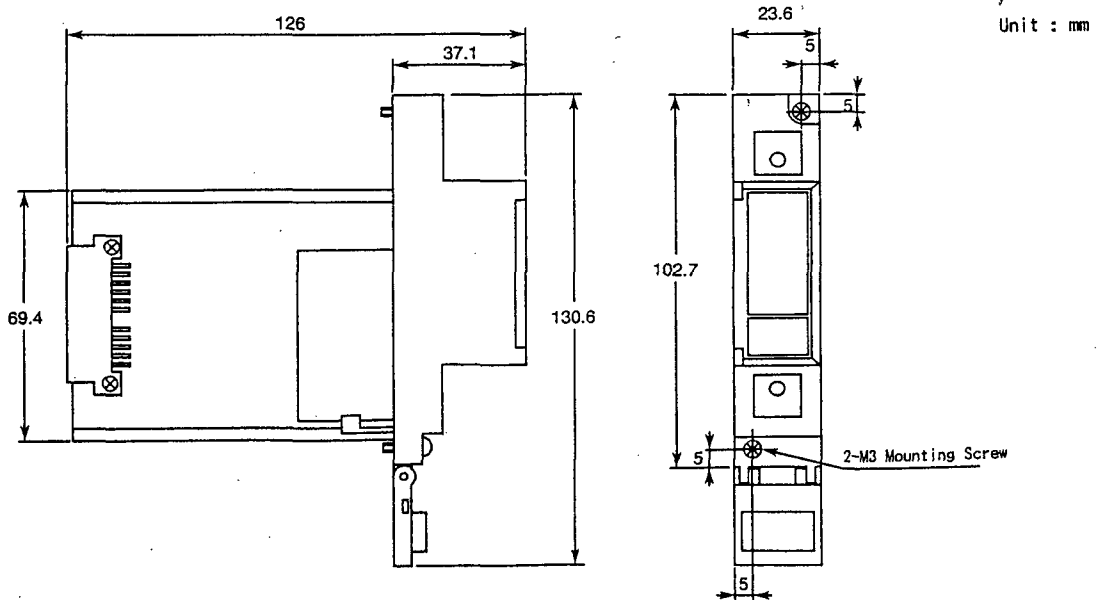


BLOCK DIAGRAM



A C : Nest input/output terminals
1 ~ 4 : Front Terminals of Alarm Setter
 R : Input Resistor for current input
 *NO/NC change/over by jumper

EXTERNAL DIMENSION



Subject to change without notice for grade up quality and performance